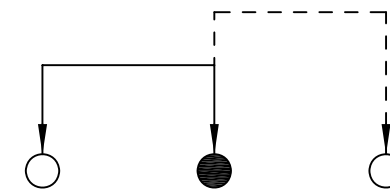
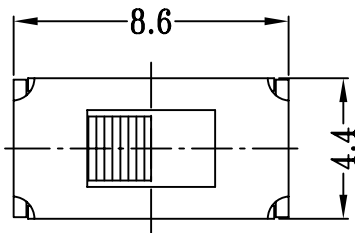
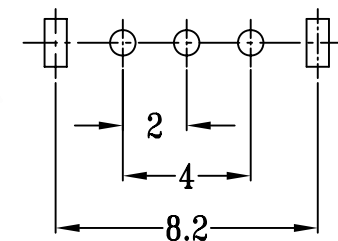
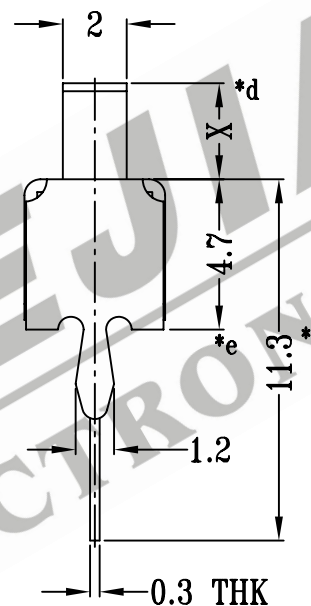
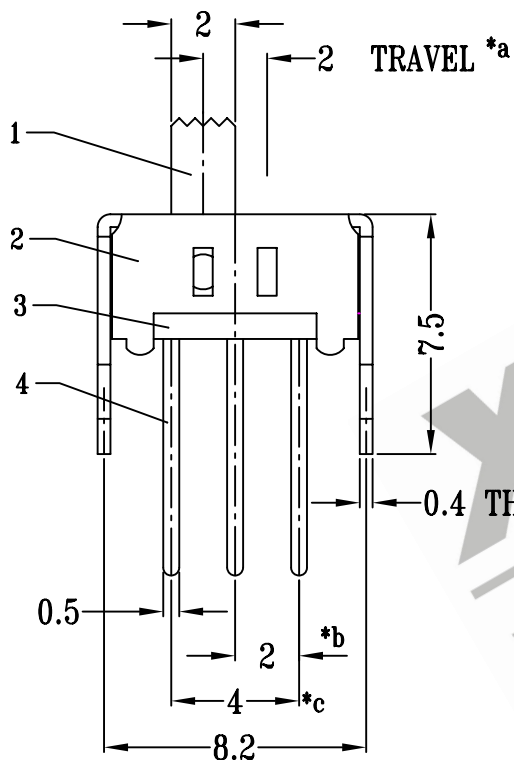


CAD FILE :



SCHEMATIC (NON-SHORTING)



P.C.B LAYOUT

注:带"*"表示关键尺寸(6个)

NO.	PARTS	MATERIALS	Q'TY	FINISH	TOLERANCE UNLESS SPECIFIED	SHENZHEN XIEJIA ELECTRONICS CO.,LTD.								
8						<table border="1"> <tr> <td>ISSUE</td> <td>DATE</td> <td colspan="2">DESCRIPTIONS OF REVISION</td> <td>APPD</td> </tr> </table>				ISSUE	DATE	DESCRIPTIONS OF REVISION		APPD
ISSUE	DATE	DESCRIPTIONS OF REVISION		APPD										
7														
6	SPRING PLATE	STAINLESS STEEL	1	NATURAL	WITHIN: 1.5±0.1mm OVER : 1.5±0.2mm	TITLE: VERTICAL SLIDE SWITCH		UNIT : mm	DRWG NO :XJ-DR-SS12D24-00					
5	CONTACT CLIP	PBS	1	Ag CLAD		MODEL: SS-12D24		SCALE : 4:1	DWN.	ZHOUYU	2001-9-30			
4	TERMINAL	BRASS STRIP	3	Ag PLATED OVER Ni PLATED					CHK'D	FANGYING	2001-9-30			
3	BASE	PHENOLIC RESIN	1	NATURAL					APPD.	KANGXINAN	2001-9-30			
2	FRAME	STEEL STRIP	1	Ni PLATED					ALL MATERIALS MUST BE COMPLIANT TO ROHS					
1	KNOB	POM	1	BLACK										